

FROM: _____

P.O#.: _____



7401 Wiles Road, Suite 333, Coral Springs, Fl., 33067

TEL#: 1-954-379-8241 FAX#: 1-954-379-8243

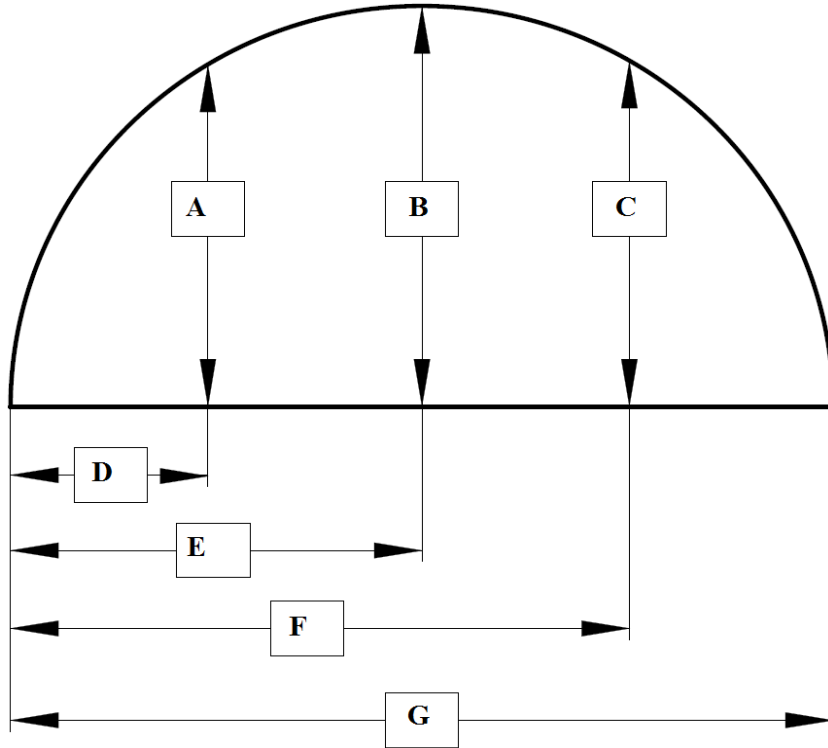
WEBSITE: www.lancoshutters.com EMAIL: info@lancoshutters.com

Kingstonian Plus

Montego

DATE: _____

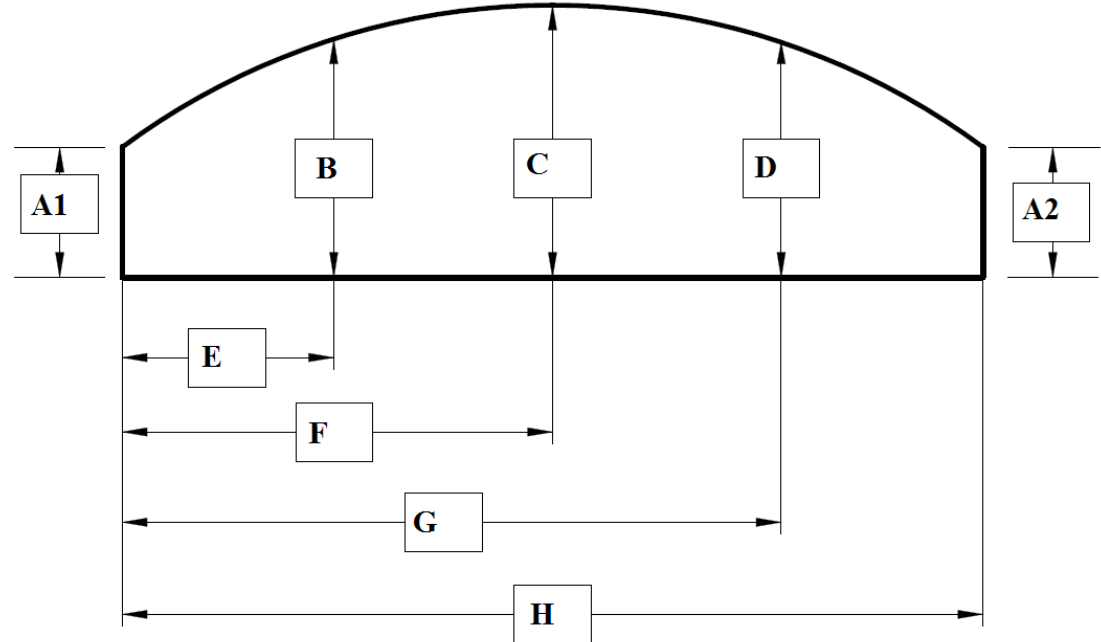
S-12 HALF ROUND SUNBURST



S-12 HALF ROUND SUNBURST

A1	_____	B	_____
C	_____	D	_____
E	_____	F	_____
G	_____		

S-10 ELONGATED EYEBROW SUNBURST



S-10 ELONGATED EYEBROW SUNBURST

A1	_____	A2	_____
B	_____	C	_____
D	_____	E	_____
F	_____	G	_____
H	_____		

Special Instructions:

Signed (Authorized Purchaser): _____